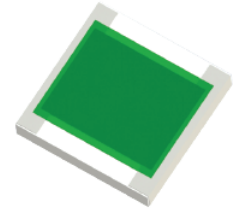


**RP1010ZZ-XXXXWN-YY Features:**

- Wraparound Terminal Configuration
- Customer Defined Testing Available
- RoHS Compliant or SnPb Available
- Tape and Reel and Waffle Pack Available (Standard is bulk)



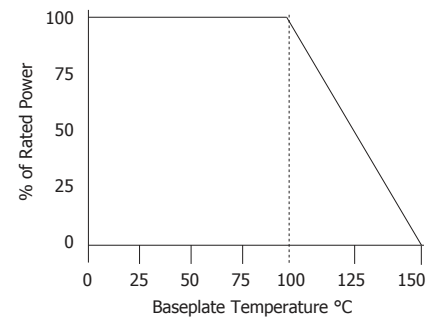
**RP1010ZZ-XXXXWN-YY Parameters:**

Resistance Range (Al <sub>2</sub> O <sub>3</sub> and BeO):	0.5Ω - 1MΩ
Resistance Range (AlN):	10Ω - 1KΩ
Rated Power:*	
0.015" Al <sub>2</sub> O <sub>3</sub>	1W
0.025" Al <sub>2</sub> O <sub>3</sub>	0.5W
0.015" AlN	2W
0.015" BeO	2W
Operating Temperature:	-55 to +150°C

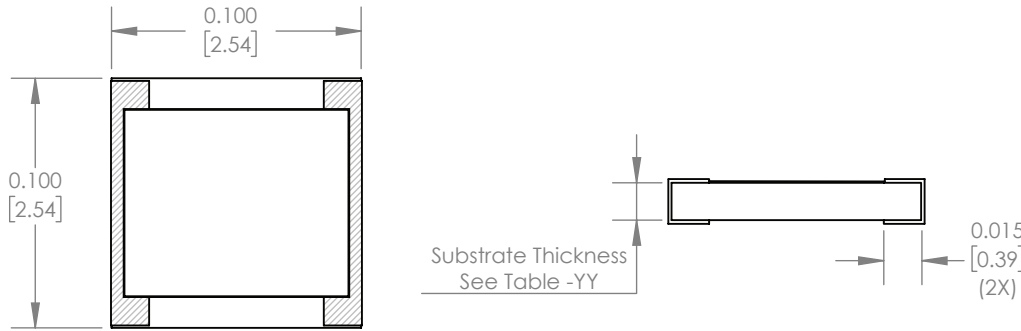
\* Rating based on ≤100°C constant baseplate temperature

■ Actual Size

**RP1010ZZ-XXXXWN-YY Power Derating Curve**



**RP1010ZZ-XXXXWN-YY Dimensions:**



Dimensions in inches [mm]  
Tolerance is ± 0.005 [0.13]  
unless otherwise stated

**Ordering Information:**

**Example Part Number: RP1010CT-50R0JN-91**

<b>RP</b>	<b>1010</b>	<b>ZZ</b>	<b>-</b>	<b>XXXX</b>	<b>W</b>	<b>N</b>	<b>-</b>	<b>YY</b>	<b>UU</b>
Prefix for Wraparound Resistor				Value Code	Tolerance	Normal Inspection Contact factory for additional options		Substrate	Packaging
	Size 1010			50R0 - 50Ω 1000 - 100Ω 1001 - 1KΩ	1002 - 10KΩ 1003 - 100KΩ 1004 - 1MΩ	F - 1% G - 2% J - 5%		91 - 0.015" Al <sub>2</sub> O <sub>3</sub> 93 - 0.025" Al <sub>2</sub> O <sub>3</sub> 2Q - 0.015" AlN 96 - 0.015" BeO	Blank - Bulk TR - Tape & Reel WP - Waffle Pack

Terminal Metallization	RoHS	Magnetic	Solder	Epoxy	Wirebond
AS - SnPb over Platinum Palladium Gold	No	No	Yes	No	No
AX - Sn96 over Platinum Palladium Gold	Yes	No	Yes	No	No
BA - Palladium Silver (Al <sub>2</sub> O <sub>3</sub> Only)	Yes	No	No	Yes	No
CB - Tin Lead over Nickel over Silver	No	Yes	Yes	No	No
CC - 100% Matte Tin over Copper over Silver	Yes	No	Yes	No	No
CT - 100% Matte Tin over Nickel over Silver	Yes	Yes	Yes	No	No
JA - Gold over Platinum Palladium Gold (BeO Only)	Yes	No	No	Yes	Yes
GA - Gold (Al <sub>2</sub> O <sub>3</sub> Only)	Yes	No	No	Yes	Yes

Barry Industries reserves the right to change part number and/or process without notification.

## RP1010ZZ-XXXXWN-YY Reliability Specifications:

Parameter:	Test Condition:	Results:
Short Time Overload	Apply 1.1x Rated Power for 5 Seconds.	≤ 5.0% Resistance Shift
Rated Load Life	Apply 1/2 Power Under 40°C ±2°C 90 Minutes on/ 30 Minutes off. Repeat for 100 hours	≤ 5.0% Resistance Shift
Moisture Resistance	MIL-PRF-55342 para 4.8.9 95% RH, 25°C - 65°C	≤ 5.0% Resistance Shift
Resistance to Soldering Heat	MIL-STD-202 Method 210 and MIL-PRF-55342 Para 4.8.8.1	≤ 5.0% Resistance Shift
Resistance to Bonding Exposure	MIL-PRF-55342 Para 4.8.8.2	≤ 5.0% Resistance Shift
Solderability	MIL-PRF-55342 Para 4.8.12	>95% Covered
High Temperature Storage	125°C ±2°C for 500 Hours	1.) ≤ 5.0% Resistance Shift 2.) No Significant Abnormality (Visual)
Thermal Shock	-65 to +125 30 Minutes Dwell, 5 Cycles	1.) ≤ 5.0% Resistance Shift 2.) No Significant Abnormality (Visual)

Barry Industries reserves the right to change part number and/or process without notification.